

# NEPTUNE PUMPS BUILT TOUGH



DESIGNED BY AUSTRALIANS  
FOR AUSTRALIAN CONDITIONS

**Neptune**  
for swimming pools

By **Pool  
Pro**

*Simply A Better Choice!*



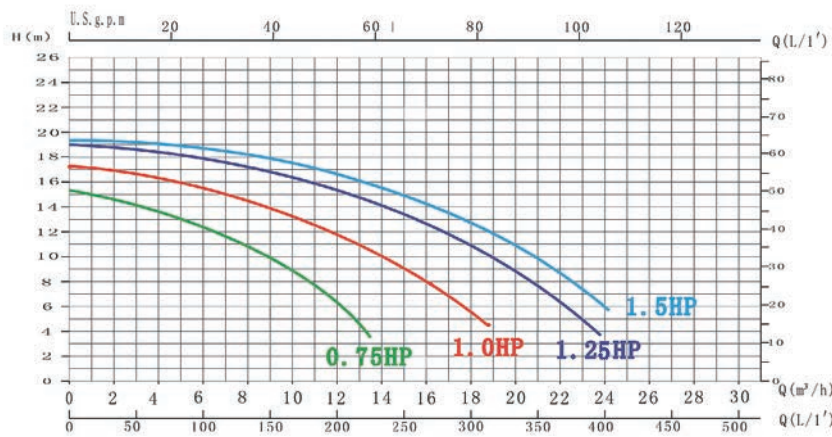
Neptune Pool Pumps are designed in Australia to work in harsh Australian conditions.

Offering quiet running and efficient power usage, the Neptune range of pool pumps are suitable for all pool types.

## PRODUCT INFORMATION

220-240V/50Hz	Model	Connection Size	Max Flow (m3/h)	Head (m)	Power (W)	Current (A)
0.75hp	NPP550	1.5"/40mm pipe	13.5	16.5	550	2.5
1.0hp	NPP750	1.5"/40mm pipe	18.8	17.0	750	4.3
1.25hp	NPP1100	1.5"/40mm pipe	23.8	18.8	900	5.4
1.5hp	NPP1500	1.5"/40mm pipe	24.2	19.2	1100	6.2

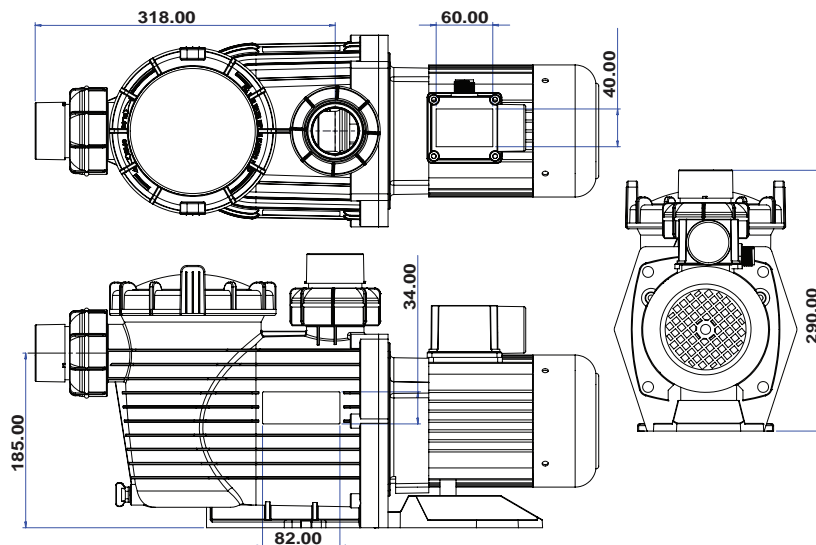
## TECHNICAL INFORMATION



MOTOR	POOL PRO PUMP
Type	Asynchronous. Two Poles
Nominal speed	2850rpm
IP Rating	X5
Insulation class	Class B
Voltage	220V - 240V
Frequency	50Hz

MATERIALS	
Pump body	ABS+ 15% Glass Filled
Impeller	PC+20% Glass Filled
Motor shaft	SS316
O-ring	Nitrile
Barrel unions	PVC+20%ABS
Seal bellows	EPDM
Seal stationary face	SiC
Seal rotating face	Carbon
Seal spring	SS316

## PRODUCT DIMENSIONS



AVAILABLE FROM YOUR  
LOCAL POOL PRO STOCKIST

