

# NEPTUNE PUMPS BUILT TOUGH



DESIGNED BY AUSTRALIANS  
FOR AUSTRALIAN CONDITIONS

**Neptune**  
for swimming pools

By **Pool  
Pro**

*Simply A Better Choice!*

SCAN FOR  
MORE INFO





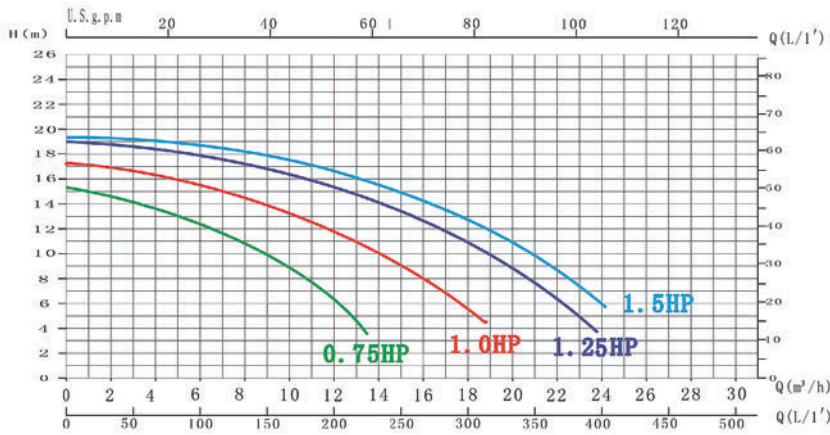
Neptune Pool Pumps are designed and built to work in harsh Australian conditions.

Offering quiet running and efficient power usage, the Neptune range of pool pumps are suitable for all pool types.

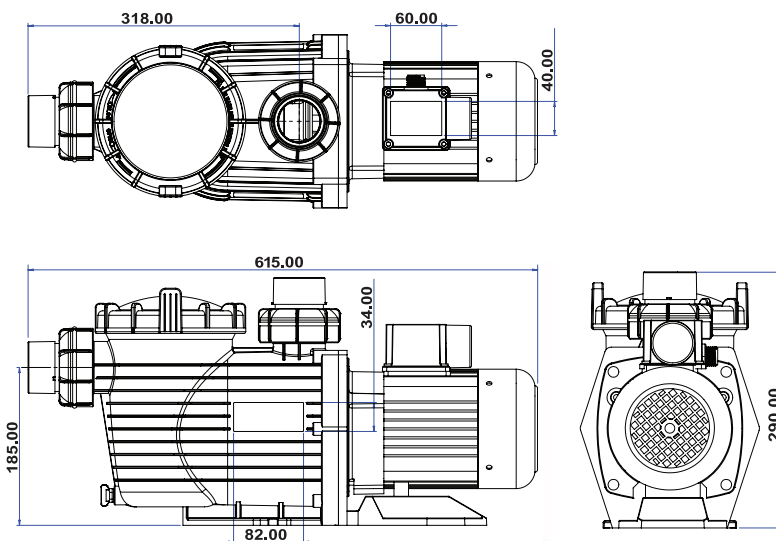
## PRODUCT INFORMATION

220-240V/50Hz	Model	Connection Size (mm)	Max Flow (m3/h)	Max Head (m)	Average Flow Rate	Power (W)	Current (A)
0.75hp	NPP550	40/50 Inlet - 40 Outlet	13.5	15.5	190Lpm @ 7m head	550	2.5
1.0hp	NPP750	50 Inlet - 40 Outlet	18.8	17.0	285Lpm @ 7m head	750	3.5
1.25hp	NPP1100	50 Inlet - 40/50 Outlet	23.8	18.8	360Lpm @ 7m head	900	4.5
1.5hp	NPP1500	50 Inlet - 40/50 Outlet	24.2	19.2	390Lpm @ 7m head	1100	5.5

## TECHNICAL INFORMATION



## PRODUCT DIMENSIONS



## MOTOR

Type	Asynchronous. Two Poles
Nominal Speed	2850rpm
IP Rating	X5
Insulation Class	Class B 130°C
Voltage	220V - 240V
Frequency	50Hz

## MATERIALS

Pump Body	ABS + 15% Glass Filled
Impeller	PC + 20% Glass Filled
Motor Shaft	SS316
Back Plate	ABS + 40% Glass Filled
O-Ring	Nitrile
Barrel Unions	PVC + 20% ABS
Seal Bellows	EPDM - Viton
Seal Stationary Face	SiC - Polished Ceramic
Seal Rotating Face	Carbon
Seal Spring	SS316

AVAILABLE FROM YOUR  
LOCAL POOL PRO STOCKIST