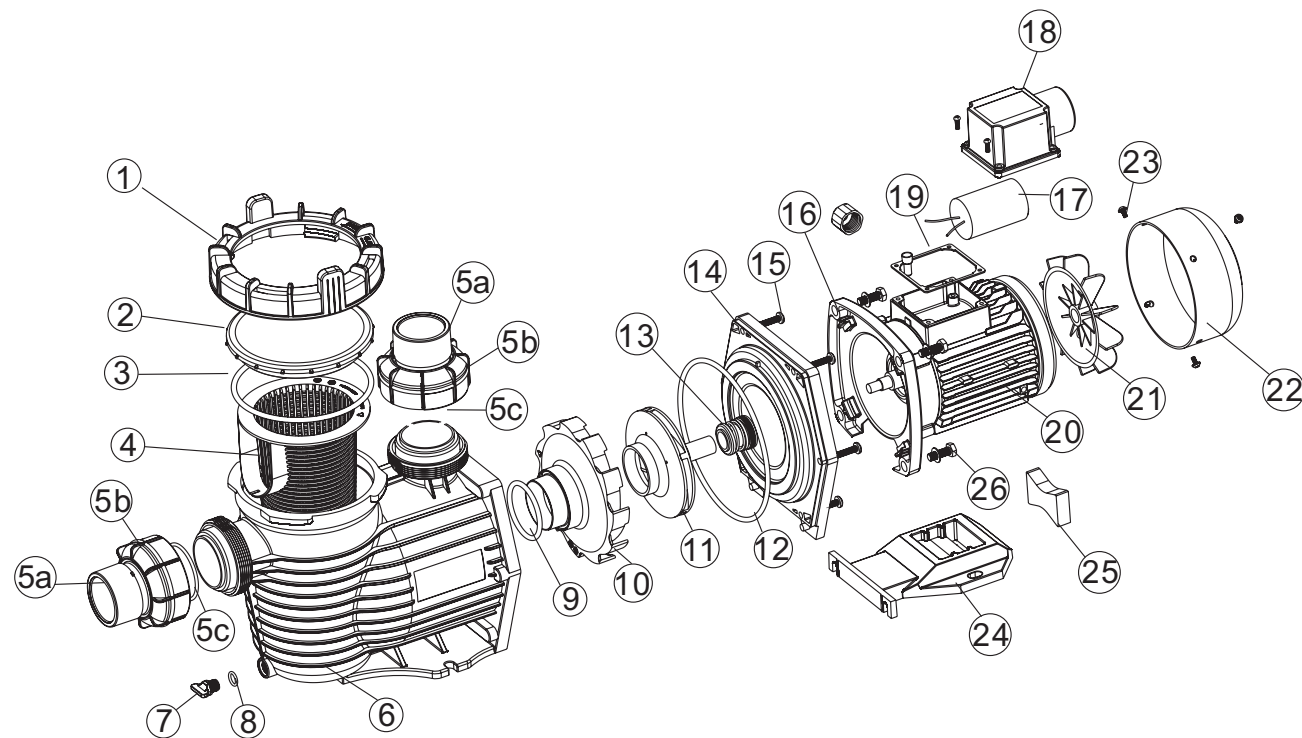


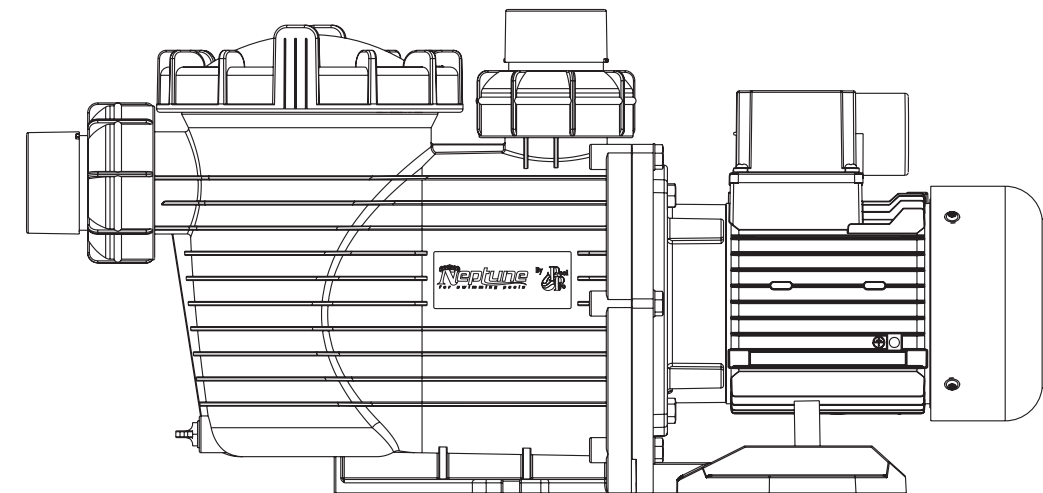
PUMP PARTS FOR NPP



Key #	Part	Part NO.	Key #	Part	Part NO.
1	Lid Cam Lock	NPP42	14	Back Plate	NPP20
2	Pump Lid	NPP42	15	Bolts (6)	NPP21
3	Lid O'Ring	NPP03	16	Drive End Shield	NPP22
4	H/L Basket	SBN1	17	Capacitor NPP550 20uf	NPP23
5	Barrel Union Complete	NPP05		Capacitor NPP750 25uf	NPP24
5a	Sleeve	NPP06		Capacitor NPP1100/1500 30uf	NPP25
5b	Nut	NPP07	18	Cap Cover	NPP26
5c	O'Ring	NPP08	19	Gasket	NPP27
6	Pump Body	NPP09	20	Motor NPP550	NPP28
7	Drain Plug	NPP10		Motor NPP750	NPP29
8	O'Ring	NPP11		Motor NPP1100	NPP30
9	Diffuser O'Ring	NPP12		Motor NPP1500	NPP31
10	Diffuser	NPP13	21	Fan	NPP32
11	Impeller NPP550	NPP14	22	Fan Cover	NPP33
	Impeller NPP750	NPP15	23	Screw (4)	NPP34
	Impeller NPP1100	NPP16	24	Base	NPP35
	Impeller NPP1500	NPP17	25	Base Adaptor	NPP36
12	Casing O'Ring	NPP18	26	Bolts (4)	NPP37
13	Mechanical Seal	NPP19			

www.poolpro.com.au

NPP Series Pump Installation & Operating instructions



INSTALLATION

Only qualified, licensed personnel should install pump and wiring.

IMPORTANT ELECTRICAL

Electrical Contractors Please Note: Pumps must be wired to the main power supply through an approved and correctly rated contactor.

Pump Mount Must:

- ❖ Be solid, Level, Rigid, and Vibration Free.
- ❖ Allow use of short, direct suction pipe. (To reduce friction losses & do not install the pump at more than 3M geometrical height from water level).
- ❖ Allow for gate valves in suction and discharge piping.
- ❖ Have adequate floor drainage to prevent flooding.
- ❖ Be protected from excess moisture.
- ❖ All the adequate access for servicing pump and piping.

NOTICE:

Pump suction and discharge connections have moulded in thread stops, **DO NOT** try to screw pipe in beyond these stops.

www.poolpro.com.au

OPERATION



- ▲ **NEVER** run pump dry! Running pump dry may damage seals, causing leakage and flooding! Fill pump with water before starting motor.
- ▲ Before removing lid:
STOP PUMP.
CLOSE GATE VALVES in suction and discharge pipes.
RELEASE ALL PRESSURE from pump and piping system.
NEVER tighten or loosen screws while pump is operation.
- ▲ Do not block pump suction! To do so with body may cause severe or fatal injury. Children using pool must **ALWAYS** have close adult supervision!

Priming Pump:

- ❖ Release all air from filter and piping system: see filter owner manual.
- ❖ In a flooded suction system (water source higher than pump), pump will prime itself when suction and discharge valves are opened.
- ❖ If pump is not in a flooded suction system, unscrew and remove pump lid; fill pump body with water.
- ❖ Clean and inspect O'Ring; re-install on pump lid.
- ❖ Replace pump lid on pump body; turn clockwise to tighten cover.

NOTICE: Tighten trap cover by hand only.

Pump should prime now. Priming time will depend on vertical length of suction lift and horizontal length of suction piping.

Routine Maintenance

The only routine maintenance needed is inspection/cleaning of trap basket. Debris or trash that collects in basket, will choke off water flow through the pump. Follow instructions below to clean trap:

1. Stop pump, close gate valve in suction and discharge, and release all pressure from system before proceeding.
2. Unscrew pump lid (turn counterclockwise).
3. Remove strainer basket and clean. Be sure all holes in basket are clear, flush basket with water and replace in trap with large opening at pipe connection port (between ribs provided). If basket is replaced backwards cover will not fit on pump body.
4. Clean and inspect lid O'Ring; reinstall on pump lid.
5. Clean O'Ring groove on trap body and Replace lid. To help keep lid from sticking, tighten hand tight only.
6. Prime pump (see priming instructions above)

SERVICE & REPAIR PARTS

Refer all service to your local agent or dealer as his knowledge of your equipment makes him the best qualified source of information. Order all repair parts through your dealer. Give the following information when ordering repair parts:

1. Unit nameplate data or serial number on label.
2. Description of part.

TROUBLE SHOOTING

MOTOR DOES NOT START

1. Disconnect switch or circuit breaker in off position
2. Fuses blown or thermal overload open
3. Locked motor shaft
4. Motor windings burned out
5. Defective starting switch inside single phase motor
6. Disconnected or defective wiring
7. Low voltage

PUMP DOES NOT REACH FULL SPEED

1. Low voltage
2. Pump connected for wrong voltage

MOTOR OVERHEATS (protector trips)

1. Low voltage
2. Motor windings connected for wrong voltage on dual voltage model
3. Inadequate ventilation

PUMP DELIVERS NO WATER

1. Pump is not primed
2. Closed valve in suction or discharge line
3. Leakage or air into suction system
4. Impeller clogged

LEAKAGE OF WATER AT SHAFT

1. Shaft seal requires replacement

LOW PUMP CAPACITY

1. Valve in suction or discharge line partly closed
2. Suction or discharge line partly plugged
3. Suction or discharge line too small
4. Clogged basket in skimmer or hair and lint strainer
5. Dirty filter
6. Impeller clogged

HIGH PUMP PRESSURE

1. Discharge valve or inlet fittings closed too much
2. Return lines too small
3. Dirty filters

NOISY PUMP AND MOTOR

1. Clogged basket in skimmer or hair in lint strainer
2. Worn motor bearings
3. Valve in suction line partly closed
4. Suction line partly clogged
5. Vacuum hose clogged or too small
6. Pump not supported properly

AIR BUBBLES AT INLET FITTINGS

1. Leakage of air into suction line at connections or valve stem
2. Cover gasket of hair and lint strainer needs cleaning
3. Low water level in pool

NOTE: If the recommendations in the trouble shooting portion of this manual do not solve your particular problem(s), please contact your local dealer for service.