

Neptune

for swimming pools

By **Pool Pro**

VARIABLE SPEED PUMP



★ ★ ★ ★ ★ ★ ★ ★
8 STAR ENERGY RATING
UP TO 90% LESS
ENERGY CONSUMPTION

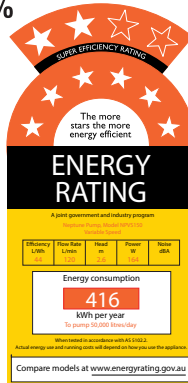


Neptune Pool Pumps are designed and built to work in harsh Australian conditions.

Offering quiet running and efficient power usage, the Neptune range of pool pumps are suitable for all pool types.

KEY FEATURES

- ✓ 8 Star Energy Efficiency rating
- ✓ Reduces energy consumption by up to 90%
- ✓ 3 fully variable speed settings
- ✓ 2 programming schedules available
- ✓ User-friendly digital touchpad
- ✓ Real time clock
- ✓ Self-priming setting
- ✓ Auto recovery / power failure recovery
- ✓ Configure your own 3 speeds



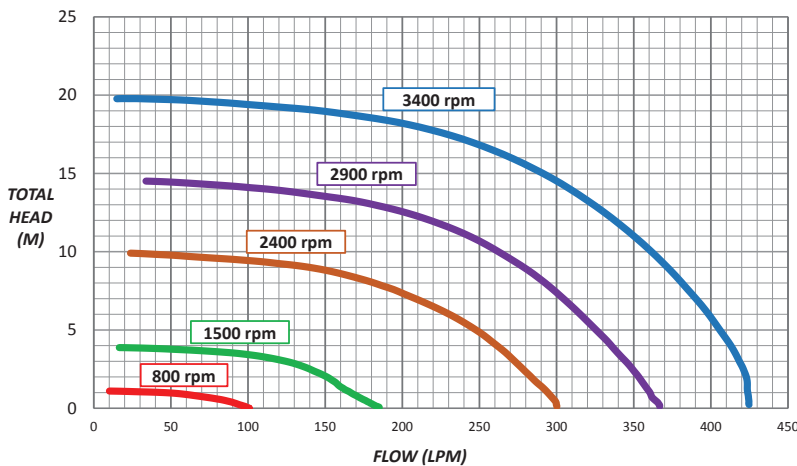
PRODUCT INFORMATION

MODEL: NPVS150	
Power Rating	220V-240V/50Hz-60Hz
Connection Size	1.5"-2"/40mm-50mm Pipe
Input Power (max)	1.3kW
Horsepower	1.5hp
Noise Levels	45dBA @ 1500rpm @ 1m
Max. Water Temp	45°C
Warranty	3 year limited*

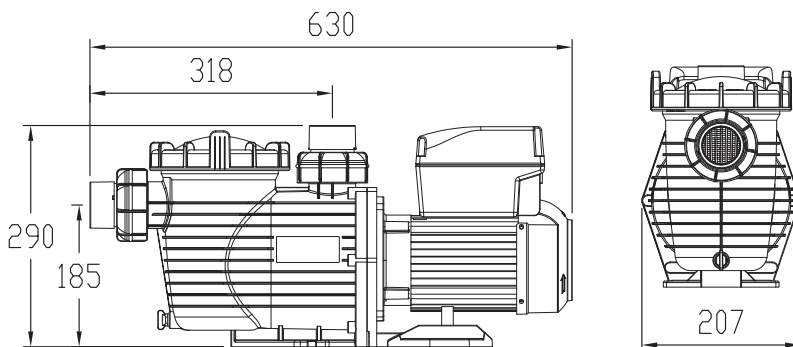
MOTOR	
Type	Permanent Magnet Motor
Variable Speed	800rpm-3400rpm
IP Rating	X5
Insulation Class	Class B 130°C
Voltage	220V-240V
Frequency	50Hz-60Hz

MATERIALS	
Pump Body	ABS + 15% Glass Filled
Impeller	PC + 20% Glass Filled
Motor Shaft	SS316
O-Ring	Nitrile
Barrel Unions	PVC + 20% ABS
Seal Bellows	Viton
Seal Stationary Face	Polished Ceramic
Seal Rotating Face	Carbon
Seal Spring	SS316

TECHNICAL INFORMATION



PRODUCT DIMENSIONS



AVAILABLE FROM YOUR LOCAL POOL PRO STOCKIST



*Refer to Neptune Warranty Terms & Conditions for further information.

PUMPS | FILTERS | CHLORINATORS | CLEANERS | ACCESSORIES | CHEMICALS | SPA PRODUCTS | MAINTENANCE PRODUCTS | SPARE PARTS